

KONFERANS SYANTIFIK  
NAN KAD MWA KREYÒL LA

# Dlo lapli nan kontèks chanjman klimatik

Dlo lapli an boulvès a klima

Avèk patisipasyon Raphaël Confiant ak Aïda Diongue

VANDREDI 25 OKTÒB - 9H30 - 12H00

## KONBIT SITWAYEN POU SIVEYE TAN



**FONDS BRH**  
POUR LA RECHERCHE ET LE DÉVELOPPEMENT

Université d'État d'Haïti  
**ueh**

**FONDATION**  
SOCEBANK

THE CARIBBEAN  
GEOPHYSICAL  
AND  
METEOROLOGICAL  
RESISTANCE  
GROUP

Université  
des Antilles  
Pôle Martinique

**URGÉE**  
Faculté des Sciences - Université d'État d'Haïti  
Unité de Recherche en Géosciences

**CARIBACT**

Faculté des Sciences - Université d'État d'Haïti  
Unité de Recherche en Urbanisme et  
Aménagement du Territoire

**ERC2**

**CHEVELIN**  
ILLUSTRATION

**CRILLASH**





# PLAN

---

1. KONTÈKS

2. OBJEKTIF ✦

3. ESTRATEJI(KSST)

4. REZO RECICAMET

5. SIVEYE TAN





# SIVEYE TAN ?

---

## 1. kolekte done

- Tanperati ✦
- Van
- Lapli

## 2. Analize done





# KÒMAN NOU SIVEYE TAN

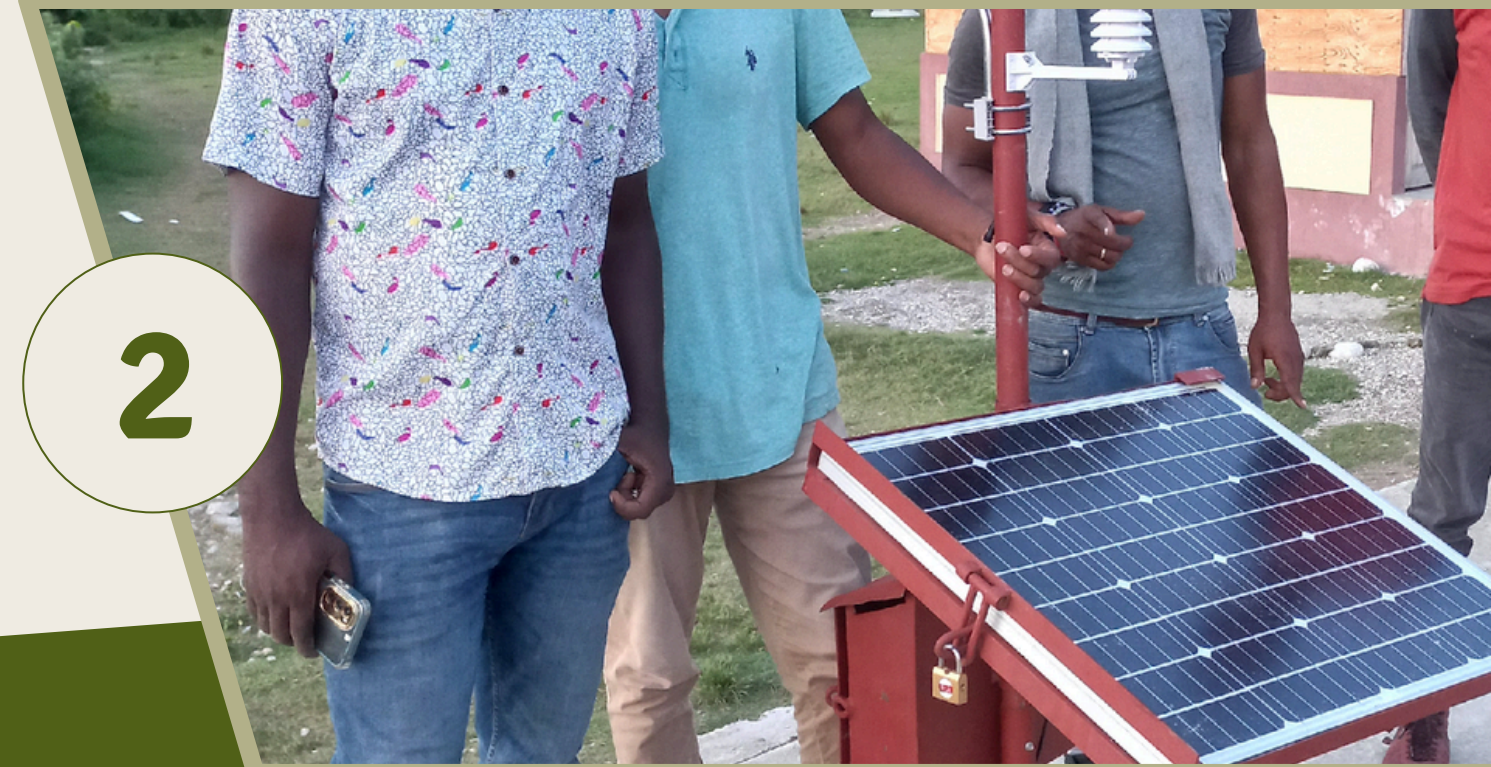
- Nou rasanble resous materyèl e teknik.
- Nou rasanble sitwayen, enjenyè, chèchè elatriye.



1



2





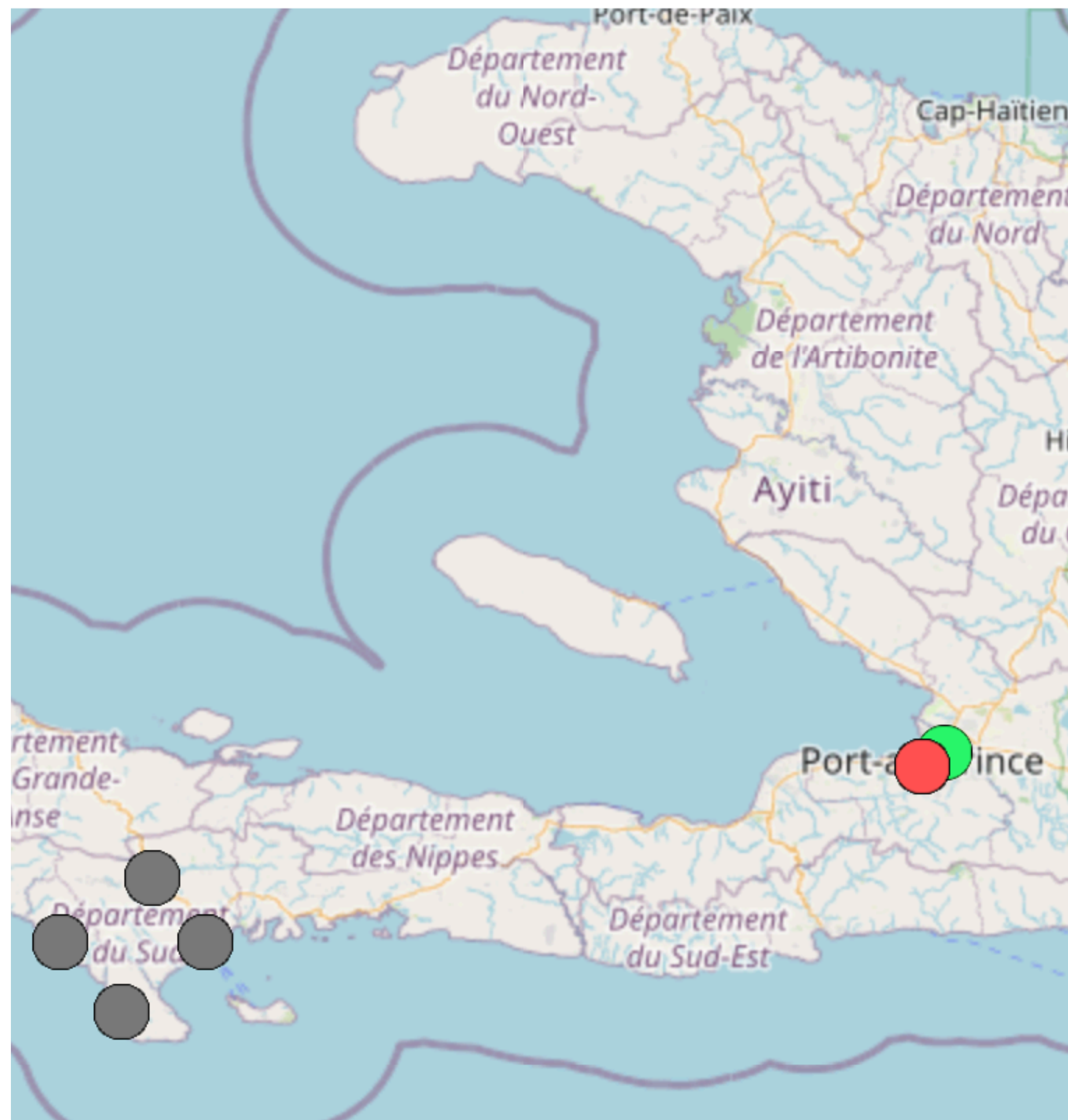
# REZO “RECICAMET”

## REZO:

**RECICAMET** SE YON REZO ESTASYON METEYO KI DEPLWAYE NAN DIVÈS REJYON AN AYITI, ESTASYON SA YO FÈ KÒLÈKT DONE E TRANSFERE DONE SA YO SOU SÈVÈ KOTE NOU SERE E ANALIZE DONE YO.

## ESTASYON:

1. Sipò
2. Elektrisite
3. Entènèt
4. Sitwayen e Sit pou enstalasyon

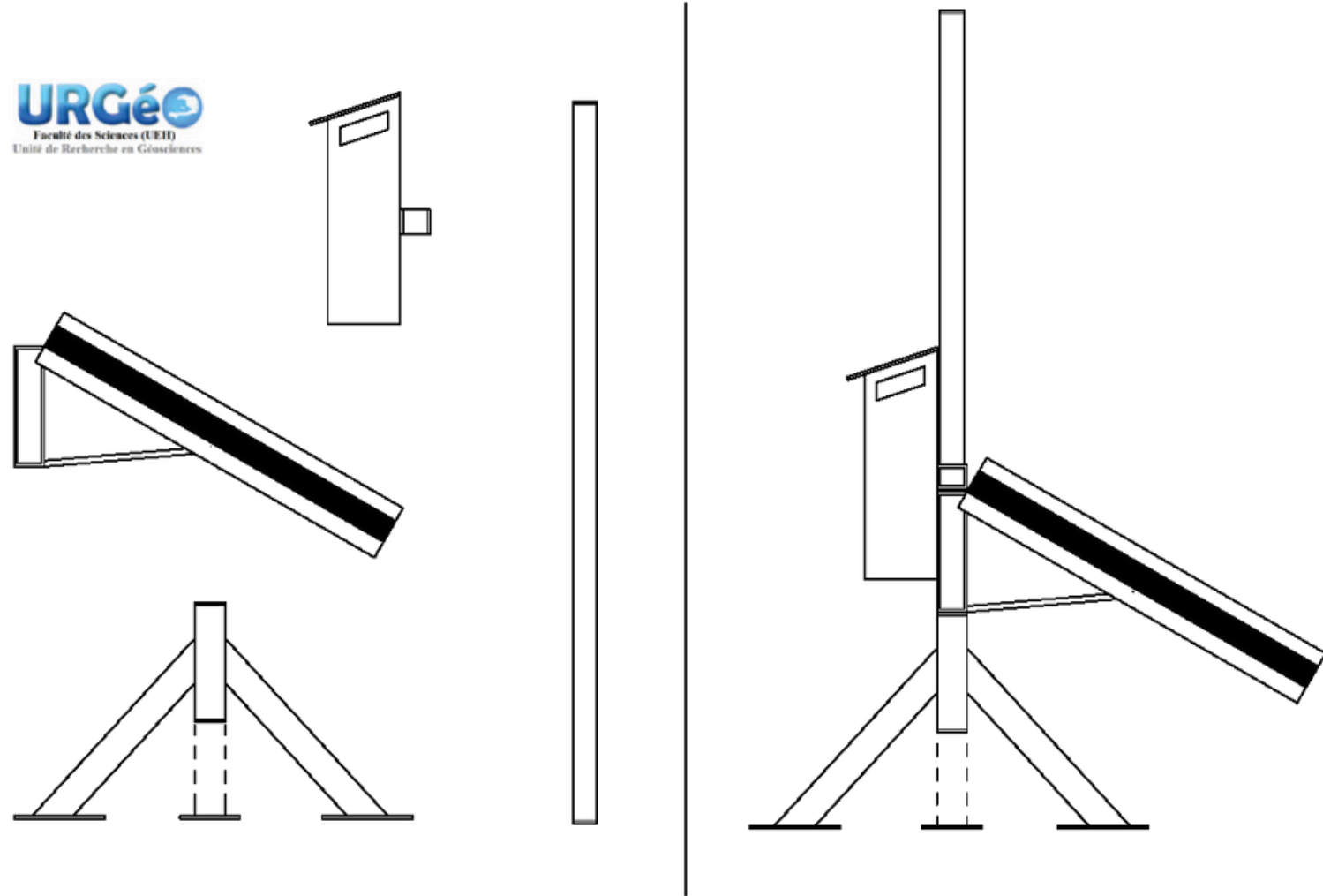




# REZO "RECICAMET"

## SIPÒ (METAL)

URGéo  
Faculté des Sciences (UEH)  
Unité de Recherche en Géosciences





# REZO “RECICAMET”

- 1. ELEKTRISITE
- 2. ENTÈNÈT





# REZO “RECICAMET”

## 1. Sitwayen e Sit pou enstalasyon

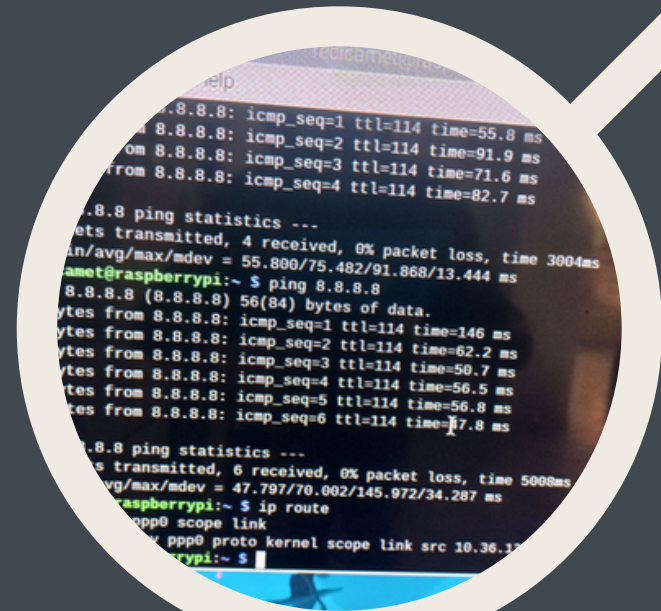
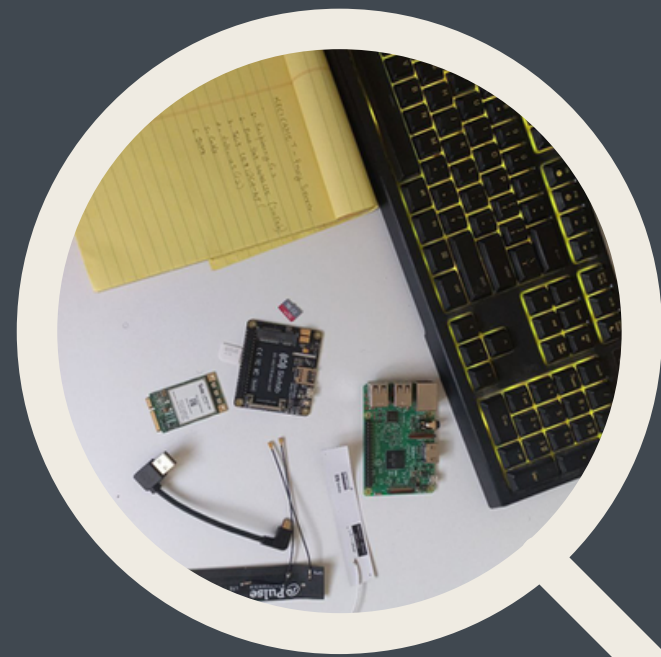




# DIFIKILTE & PÈSPEKTIV

## PROBLÈM ENTÈNÈT PÈSPEKTIV

- “PROXY”
- ENSTALE PLIS ESTASYON
- EKSPLWATASYON DONE





# DEMO

<https://recicamet.fds.edu.ht/>

The screenshot displays the RECICAMET web application interface. At the top, there is a navigation menu with links: Accueil, Stations, Données, Publications, Connexion, Apropos, and Contact. The main content area is divided into several sections:

- Nos stations météo:** A list of three weather stations with their names, addresses, and operational status (indicated by colored dots).
- Map:** A map of Haiti showing the locations of the weather stations. A legend indicates that red dots represent stations out of service, green dots represent stations in service, and grey dots represent stations not yet operational.
- Summary:** A section titled "RECICAMET" and "Réseau Citoyen de Capteurs hydromÉTéorologiques" providing information about the project and its affiliation with the University of Haïti.
- Station Selection:** A dropdown menu labeled "Choisir une Station:" with "Delmas[HT\_OUE\_AMB\_02]" selected.
- Project Description:** A text box explaining that RECICAMET is a pilot project aimed at establishing a low-cost meteorological network in Haïti.





# MÈSI !

---

<https://recicamet.fds.edu.ht/>